

## TOUCAN 12E PLUS MAST BOOM LIFTS

### Platform

- 0.70m x 1.05m (L x W) steel platform
- Slide bar rear entry
- Full proportional drive and slew joystick control with integral thumb steer switch
- Mini joysticks provide proportional mast and jib lift/lower functions (and telescope on 12m models)
- 4.14m articulating jib
- Function enable with enlarged LCD function status display
- Load sensing system
- AC power cable to platform
- Large tool tray

### Power & Transmission

- Two wheel direct electric drive
- Brushless AC drive motors
- 48V 260 A/hr deep cycle monobloc batteries
- On-board 110V/230V HF battery charger
- Powered battery fill
- Auto power save when idle
- Low charge function cut-out
- On-board diagnostics with integral display
- Automatic rear wheel brakes
- Sculptured polyester hoods

### Available Options

- Powered platform rotation
- 8mm air line to platform
- 48V 255A/hr sealed AGM batteries in lieu of standard
- LED Platform worklight
- Food compatible lubricants
- Plugs & Sockets <sup>1</sup>

### Functional Equipment & Accessories

- Heavy duty steel roller mast with 345° rotation
- Chain slack detection system
- 2 degree tilt alarm and indicator light
- 3 degree tilt alarm and indicator light
- 457 x 178 solid non marking tyres
- 1.20m wide frame
- Lifting /tie down rings
- Ground control selector switch with key lock
- Battery discharge indicator
- Hour meter
- Horn
- Drive orientation system
- Lanyard anchor points
- Zenon strobe light
- Manual descent system

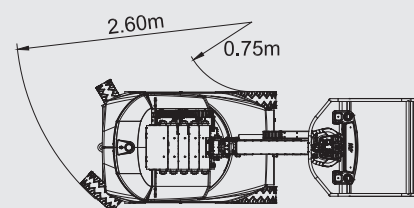
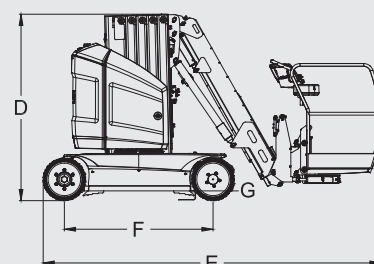
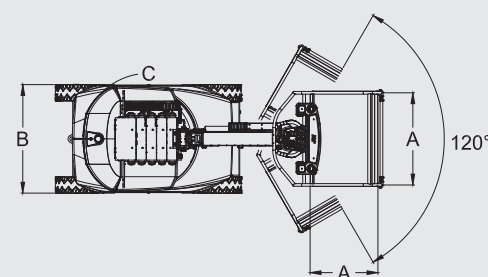
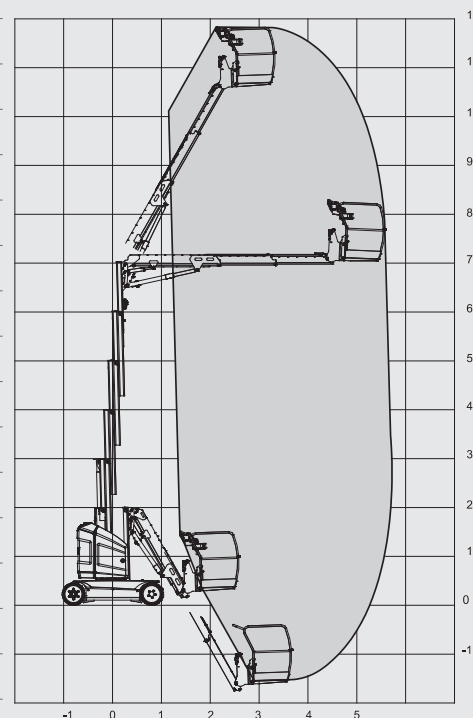


<sup>1</sup> Included with circuit breaker on AC cable to platform option. NB 110V or 230V power must be specified

# TOUCAN 12E PLUS

## MAST BOOM LIFTS

Working height	12.65m
Platform height	10.65m
Working outreach (standard platform)	6.05m
Up and over height	7.12m
Swing (not continuous)	345°
Platform capacity <sup>1</sup>	200kg
Jib - overall length	4.14m
Jib - range of articulation	120° (+60° / -60°)
A. Platform size standard platform (L x W)	0.70m x 1.05m
B. Overall width	1.20m
C. Tailswing	13cm
D. Stowed height	1.99m
E. Overall length (standard platform)	3.65m
F. Wheelbase	1.60m
G. Ground clearance	10cm
Machine weight - standard platform <sup>2</sup>	4,900 kg
Maximum ground bearing pressure	14,0 kg/cm <sup>2</sup>
Drive speed - lowered	6.0 km/h
Drive speed - elevated	0.75 km/h
Turning radius (outside)	2.60m
Turning radius (inside)	0.75m
Gradeability	30%
Break over angle	25%
Steer angle	60°
Max. allowable tilt angle	3°
Tyres (non-marking solid)	457mm x 178mm
Electrical system	48V DC
Batteries (deep cycle)	48V - 260 A/hr
Charger	48V - 25A
Drive motors	Dual AC motors
Brakes	Disc
Electrical (pump) motor	3.5kw - 48V DC
Hydraulic system	15L
Peter Hird cycles	74



**JLG Industries, Inc. is a leading designer and manufacturer of access equipment and complementary services and attachments.**

JLG has manufacturing facilities in the United States, France, Romania, China and Belgium. Customers throughout Europe, Scandinavia, Africa and the Middle East benefit from a network of dedicated sales and service operations designed to deliver the highest levels of support.

**JLG is an Oshkosh Corporation company.**

**[www.jlgeurope.com](http://www.jlgeurope.com)**

<sup>1</sup> Capacity shown is maximum two persons indoor and outdoor (12.5 m/s wind speed)  
<sup>2</sup> Certain options or country standards may increase weight and/or dimensions.