

X14J COMPACT CRAWLERS

Platform

- 0.69 m x 1.30 m Aluminium 2 person platform
- Slide bar rear entry
- Footswitch
- Full proportional control
- Articulating jib
- Remote Control (via cable to platform)
- Multi-lingual LCD display on platform console
- Platform console position sensor and lock
- Envelope management load sensing system
- Platform designed for ease of removal/changeover
- AC Cable to platform
- 6,5 mm (1/4 ") air/water line to platform

Power & Transmission

- Honda GX270 - 6.6 kW (9HP) Gasoline Engine
- 220V, 50 Hz - 2.2 kW Electric Engine
- Engine protection
- 1.24 m x 0.18 m x 0.30 m
Low Profile Black Rubber Tracks

Functional Equipment & Accessories

- Automatic Stabilization
- Non Mark Outrigger Pads
- Cylinder Rod Protection on Outriggers
- Automatic cut-out when out of level
- 361° non-continuous turntable rotation
- Turntable alignment sensor and gauge
- Three emergency descent systems
- Electro-hydraulic controls
- Lifting/Tie down points



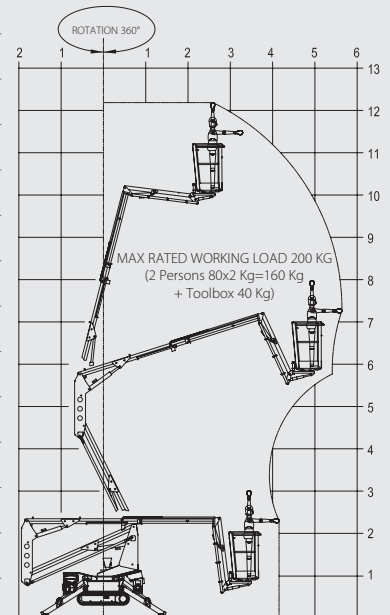
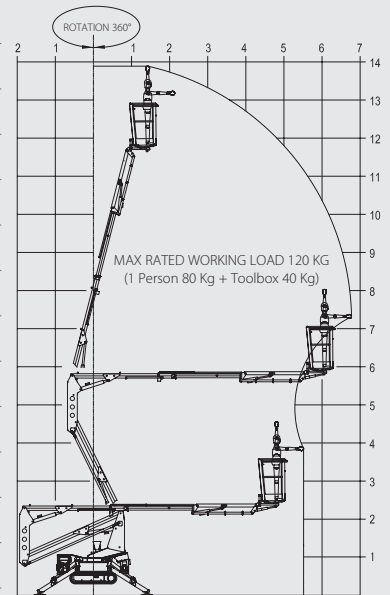
Available Options

- 0.59 m x 0.79 m Aluminium 1 person platform
- Honda GX390 - 9.6 kW (13HP) Gasoline Engine
- Hatz IB30 - 5.4 kW (7.5HP) Diesel Engine
- 110V, 50 Hz - 2.2 kW Electric Engine
- 90A/hr, 48V Lithium ion power pack ¹
- 1.24 m x 0.18 m x 0.30 m Low Profile
Non Mark Rubber Tracks
- 1.24 m x 0.18 m x 0.31 m High Profile Black Rubber Tracks
- 2nd (high) Drive speed

¹ Replaces both combustion and electric engines.

X14J COMPACT CRAWLERS

Platform Height w 120 kg capacity	11.80 m
Platform Height w 200 kg capacity	10.15 m
Horizontal Outreach (Std Platform w 120kg)	6.26 m
Horizontal Outreach (Std Platform w 200kg)	5.42 m
Up & Over Height w 120 kg	5.58 m
Up & Over Height w 200 kg	5.52 m
Swing (non continuous)	361°
Jib - overall length	1.56 m
Jib - range of articulation (+/-)	83° (+0° / -83°)
Platform size (standard 2 persons)	0.69 m x 1.30 m
Platform size (narrow one person)	0.59 m x 0.79 m
Stowed width (with std. 2P platform)	1.48 m
Stowed width (without platform) ¹	0.79 m
Stowed height (on tracks) ¹	2.07 m
Stowed length (on tracks)	4.02 m
Outrigger footprint	2.87 m x 2.91 m
Machine weight (with standard platform) ²	1,398 kg
Operating weight (with petrol engine)	1,430 kg
Maximum ground bearing pressure (on outriggers)	1.73 kg/cm ²
Maximum ground bearing pressure (on tracks)	0.41 kg/cm ²
Maximum drive speed (single speed m/c) Petrol	1.4 km/h
Maximum drive speed (two speed m/c) Petrol	2.8 km/h
Gradeability	36%
Maximum operating slope	10°
Max. Approach / Depart angles	Front 20° / Rear 20°
Track size - McLaren low profile black rubber	1.24 m x 0.18 m x 0.30 m
Width of Undercarriage (Retracted/Extended)	0.79 m / 0.79 m
AC electric motor	110V or 220V, 50Hz, 2.2kW
Engine	Honda GX270, 6.6 kw Petrol



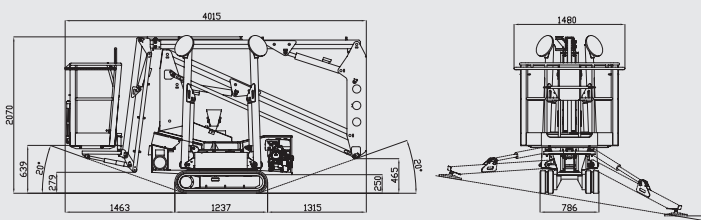
JLG Industries, Inc. is a leading designer and manufacturer of access equipment and complementary services and attachments.

JLG has manufacturing facilities in the United States, France, Romania, China and Belgium. Customers throughout Europe, Scandinavia, Africa and the Middle East benefit from a network of dedicated sales and service operations designed to deliver the highest levels of support.

JLG is an Oshkosh Corporation company.

www.jlgeurope.com

¹ With outrigger pads removed. Pads increase width by 100 mm and height by 30 mm in stowed position.
² Dry weight. Certain options or country standards may increase weight and/or dimensions.



JLG is continually researching and developing products and reserves the right to make modifications without prior notice. All data in this document is indicative. Certain options or country standards will increase weight. Specifications may change to meet country standards or with the addition of optional equipment.