

TOUCAN 8E MAST BOOM LIFTS

Platform

- 0.85 x 0.90 m (L x W) steel platform
- Slide bar rear entry
- Full proportional drive and slew joystick control with integral thumb steer switch
- Mini joysticks provide proportional mast and jib lift/lower functions (and telescope on 12m models)
- 1.17 m articulating jib
- Function enable with enlarged LCD function status display
- Load sensing system
- AC power cable to platform
- Large tool tray

Power & Transmission

- Two wheel direct electric drive
- Brushless AC drive motors
- 24V 185 A/hr deep cycle monobloc batteries
- On-board 110V/230V HF battery charger
- Powered battery fill
- Auto power save when idle
- Low charge function cut-out
- On-board diagnostics with integral display
- Automatic rear wheel brakes
- Sculptured polyester hoods

Functional Equipment & Accessories

- Heavy duty steel roller mast with 345° rotation
- Chain slack detection system
- 2 degree tilt alarm and indicator light
- 406 x 125 solid non-marking tyres
 - Passive pothole protection system
 - 0.99 m wide frame
 - Lifting /tie down rings
 - Ground control selector switch with key lock
 - Battery discharge indicator
 - Hour meter
 - Horn
 - Drive orientation system
- Lanyard anchor points
- Zenon strobe light
- Manual descent system

Available Options

- 1.10 m x 0.90 m (Lx W) XL platform
- 8mm air line to platform
- 24V 180 A/hr sealed AGM batteries in lieu of standard
- Acoustic alarm
- Food compatible lubricants
- Low temperature lubrication
- Plugs & Sockets ¹

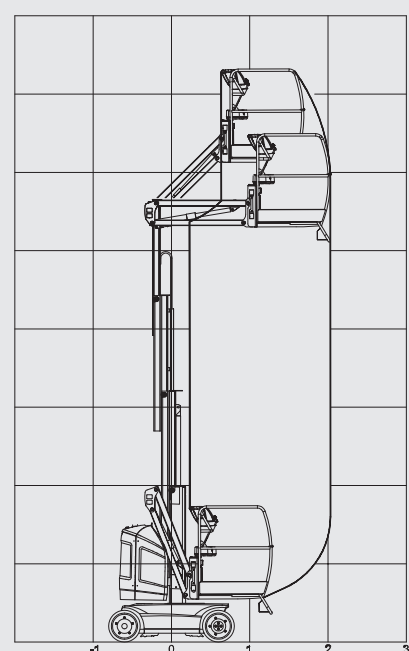


¹ Included with circuit breaker on AC cable to platform option. NB 110V or 230V power must be specified

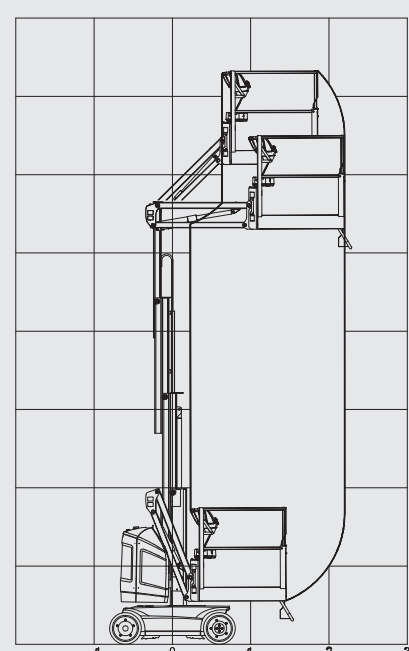
TOUCAN 8E MAST BOOM LIFTS

Working height	8.15 m
Platform height	6.15 m
Working outreach (standard platform)	2.39 m
Working outreach (XL platform)	2.65 m
Up and over height	5.10 m
Swing (not continuous)	345°
Platform capacity ¹	200 kg
Jib - overall length	1.17 m
Jib - range of articulation	113° (+45°/-68°)
A. Platform size standard platform (L x W)	0.85 x 0.90 m
Platform size XL platform (L x W)	1.10 x 0.90 m
B. Overall width	0.99 m
C. Tailswing	17.5 cm
D. Stowed height	1.99 m
E. Overall length (standard platform)	2.09 m
Overall length (XL platform)	2.35 m
F. Wheelbase	1.20 m
G. Ground clearance	10 cm
Machine weight - standard platform ²	2,120 kg
Machine weight - XL platform ²	2,340 kg
Maximum ground bearing pressure	18,2 kg/cm ²
Drive speed - lowered	5.5 km/h
Drive speed - elevated	0.75km/h
Turning radius (outside)	1.99 m
Turning radius (inside)	0.55 m
Gradeability	25%
Break over angle	25%
Steer angle	60°
Max. allowable tilt angle	2°
Tyres (non-marking solid)	406 x 125 mm
Electrical system	24V DC
Batteries (deep cycle)	24 V - 185 A/hr
Charger	24V - 25A
Drive motors	Dual AC motors
Brakes	Disc
Electrical (pump) motor	3kW 24V DC
Hydraulic system	10 L
Peter Hird cycles	75

Toucan 8E



Toucan 8E XL



JLG Industries, Inc. is a leading designer and manufacturer of access equipment and complementary services and attachments.

JLG has manufacturing facilities in the United States, France, Romania, China and Belgium. Customers throughout Europe, Scandinavia, Africa and the Middle East benefit from a network of dedicated sales and service operations designed to deliver the highest levels of support.

JLG is an Oshkosh Corporation company.

www.jlgeurope.com

¹ Capacity shown is maximum two persons indoor and outdoor (12.5 m/s wind speed)
² Certain options or country standards may increase weight and/or dimensions.