

TOUCAN 12E MAST BOOM LIFTS

Platform

- 0.70m x 1.05m (L x W) steel platform
- Slide bar rear entry
- Full proportional drive and slew joystick control with integral thumb steer switch
- Mini joysticks provide proportional mast and jib lift/lower functions (and telescope on 12m models)
- 3.19m articulating jib
- Function enable with enlarged LCD function status display
- Load sensing system
- AC power cable to platform
- Large tool tray

Power & Transmission

- Two wheel direct electric drive
- Brushless AC drive motors
- 48V 260 A/hr deep cycle monobloc batteries
- On-board 110V/230V HF battery charger
- Powered battery fill
- Auto power save when idle
- Low charge function cut-out
- On-board diagnostics with integral display
- Automatic rear wheel brakes
- Sculptured polyester hoods

Available Options

- Powered platform rotation
- 8mm air line to platform
- 48V 255A/hr sealed AGM batteries in lieu of standard
- LED Platform worklight
- Food compatible lubricants
- Plugs & Sockets ¹

Functional Equipment & Accessories

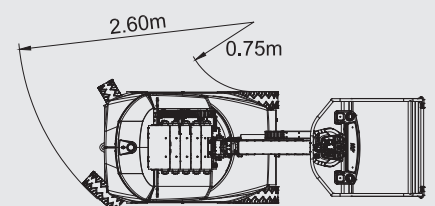
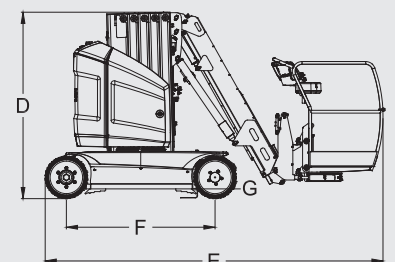
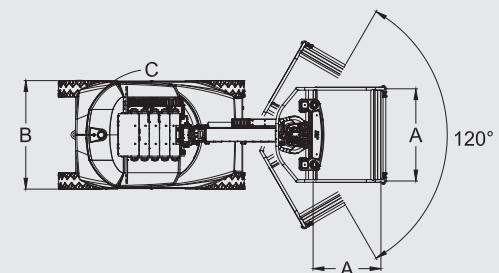
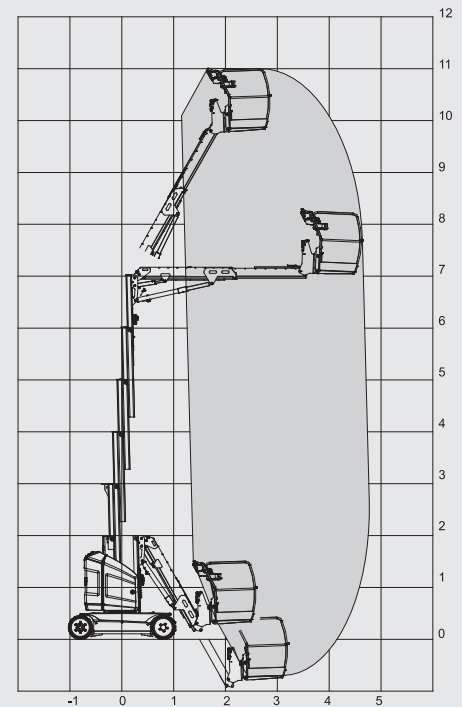
- Heavy duty steel roller mast with 345° rotation
- Chain slack detection system
- 2 degree tilt alarm and indicator light
- 3 degree tilt alarm and indicator light
- 457 x 178 solid non marking tyres
- 1.20m wide frame
- Lifting /tie down rings
- Ground control selector switch with key lock
- Battery discharge indicator
- Hour meter
- Horn
- Drive orientation system
- Lanyard anchor points
- Zenon strobe light
- Manual descent system



¹ Included with circuit breaker on AC cable to platform option. NB 110V or 230V power must be specified

TOUCAN 12E MAST BOOM LIFTS

Working height	11.83m
Platform height	9.83m
Working outreach (standard platform)	5.10m
Up and over height	7.12m
Swing (not continuous)	345°
Platform capacity ¹	200 kg
Jib - overall length	3.19m
Jib - range of articulation	120° (+60° / -60°)
A. Platform size standard platform (L x W)	0.70m x 1.05m
B. Overall width	1.20m
C. Tailswing	13cm
D. Stowed height	1.99m
E. Overall length (standard platform)	3.65m
F. Wheelbase	1.60m
G. Ground clearance	10cm
Machine weight - standard platform ²	4,300 kg
Maximum ground bearing pressure	12,5 kg/cm ²
Drive speed - lowered	6.0 km/h
Drive speed - elevated	0.75 km/h
Turning radius (outside)	2.60m
Turning radius (inside)	0.75m
Gradeability	30%
Break over angle	25%
Steer angle	60°
Max. allowable tilt angle	3°
Tyres (non-marking solid)	457mm x 178mm
Electrical system	48V DC
Batteries (deep cycle)	48V - 260 A/hr
Charger	48V - 25A
Drive motors	Dual AC motors
Brakes	Disc
Electrical (pump) motor	3.5kw - 48V DC
Hydraulic system	15L
Peter Hird cycles	80



JLG Industries, Inc. is a leading designer and manufacturer of access equipment and complementary services and attachments.

JLG has manufacturing facilities in the United States, France, Romania, China and Belgium. Customers throughout Europe, Scandinavia, Africa and the Middle East benefit from a network of dedicated sales and service operations designed to deliver the highest levels of support.

JLG is an Oshkosh Corporation company.

www.jlgeurope.com

¹ Capacity shown is maximum two persons indoor and outdoor (12.5 m/s wind speed)
² Certain options or country standards may increase weight and/or dimensions.