

## E400An ARTICULATING BOOM LIFTS

### Platform

- 0.76 m x 1.22 m low mount platform
- Side entry with drop bar mid rail
- Multiple function operation
- Full proportional drive joystick control with integral thumb steer switch
- Full proportional main boom and swing joystick control
- Multiple speed control for lower boom, telescope, jib and platform rotate
- Selectable creep speed on drive / lift and swing functions
- 180 degree powered platform rotator
- Platform console machine status light panel <sup>1</sup>
- Load sensing system
- AC power cable to platform

### Available Options

- 0.76 m x 1.52 m low mount platform
- Side entry with inward swing gate
- 13 mm air line to platform
- 305A/hr maintenance free AGM batteries in lieu of standard
- All motion alarm
- Alarm package <sup>2</sup>
- Platform worklights
- Head and tail lights
- Amber strobe light
- Plugs & Sockets
- Acrylic console shield
- Cylinder bellows

### Power & Transmission

- Two Wheel Direct Electric Drive
- 8 x 6V 370 A/hr deep cycle batteries
- Automatic traction control
- Programmable “Personality” settings
- On-board self-diagnostic testing
- Enclosed battery / electrical compartment
- 20 amp automatic battery charger
- Automatic rear wheel brakes
- Sculptured ABS hoods

### Functional Equipment & Accessories

- 3 degree tilt alarm and indicator light
- Non mark solid rubber tyres
- 1.50m narrow frame
- Lifting/tie down lugs
- Ground control selector switch with key lock
- Battery condition indicator
- Hour meter
- Horn
- Platform tool tray
- Manual descent system

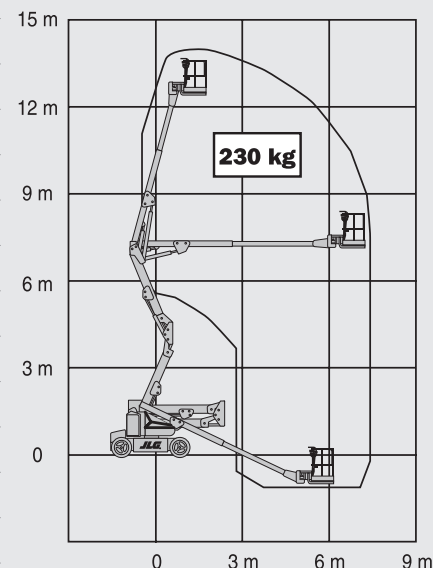


<sup>1</sup> Provides indicator lights at platform control console for system distress, low battery, tilt light, and foot switch status.  
<sup>2</sup> Includes all-motion alarm and amber strobe light.

# E400An

## ARTICULATING BOOM LIFTS

Platform Height	12.19 m
Horizontal Outreach	6.45 m
Up and Over Height	6.55 m
Swing (non-continuous)	360°
Platform Capacity - Unrestricted	230 kg
Platform Rotator (Hydraulic)	180°
A. Platform Size	0.76 m x 1.22 m
B. Overall Width	1.50 m
C. Tailswing (working condition)	0.10 m
D. Stowed Height	1.97 m
E. Stowed Length	5.51 m
F. Wheelbase	2.01 m
G. Ground Clearance	0.13 m
Machine weight <sup>1</sup>	5,800 kg
Maximum Ground Bearing Pressure	7.3 kg/cm <sup>2</sup>
Drive Speed	4.8 km/h
Gradeability	30%
Tyres	22 x 6 x 17.05 (front) Solid Non-mark 25 x 7-12 (rear) Solid Non-mark
Turning Radius - Inside	0.86 m
Turning Radius - Outside	3.15 m
Electrical System	48V DC
Batteries	8 x 6V 370 A/hr
Drive Motors	Dual Electric Traction
Brakes	Automatic Spring Applied
Hydraulic Motor	Perm. Magnet
Hydraulic Pump	Gear Pump
Hydraulic Reservoir	20 L

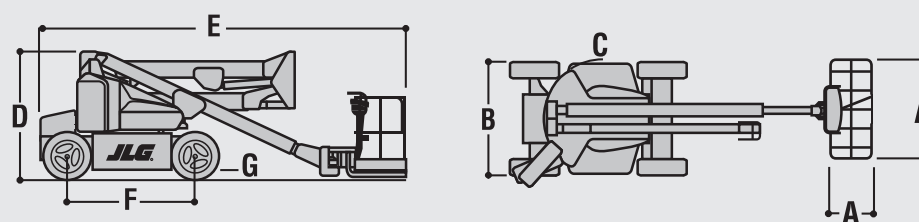


**JLG Industries, Inc. is a leading designer and manufacturer of access equipment and complementary services and attachments.**

JLG has manufacturing facilities in the United States, France, Romania, China and Belgium. Customers throughout Europe, Scandinavia, Africa and the Middle East benefit from a network of dedicated sales and service operations designed to deliver the highest levels of support.

JLG is an Oshkosh Corporation company.

[www.jlgeurope.com](http://www.jlgeurope.com)



<sup>1</sup> Certain options or country standards may increase weight and/or dimensions.